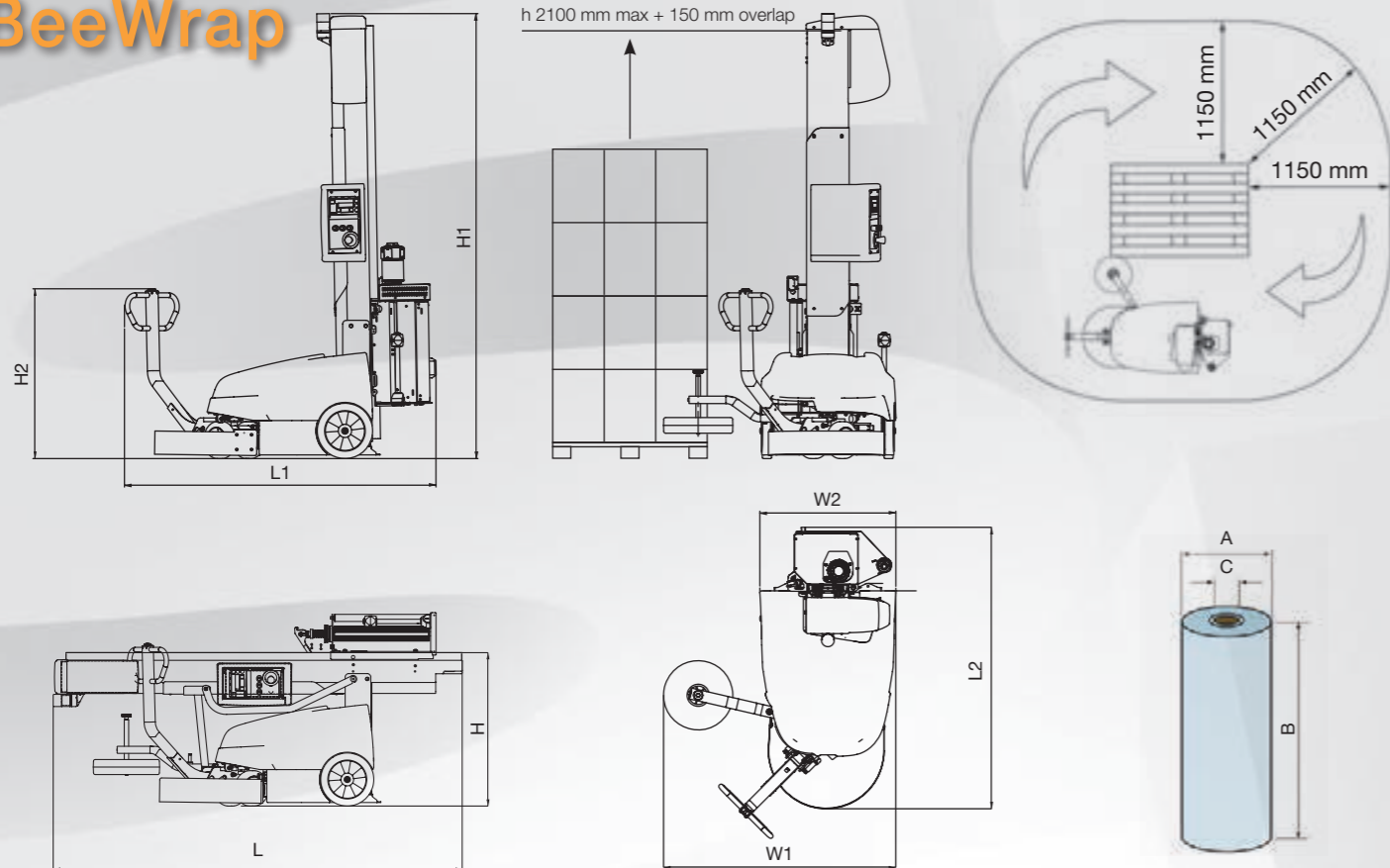


BeeWrap



www.zen-arte.it



BeeWrap Advanced Semi-Automatic Mobile Pallet Wrapper

> Sizes with reclined column for temporary storage	M/FM Carriages	LP Carriage
L (mm)	2310	2310
W (mm)	950	950
H (mm)	1150	1230

Size / Weight packaging	KCL	KPL	LxWxH
> BeeWrap - M/FM	315	360	2290x980x1300
> BeeWrap - LP	337	382	2290x980x1300

> Machine dimensions	M/FM Carriages	LP Carriage
L1 (mm)	1606	1687
L2 (mm)	1444	1527
W1 (mm)	1258	1258
W2 (mm)	736	736
H1 (mm)	2410	2410
H2 (mm)	920	920

> Film roll dimensions	
A (mm)	250
B (mm)	500
C (mm)	76
Thickness (µm)	17/23

> Technical features	
Nr. of pallets for single batteries charger	300*
Rotation speed (m/min.)	50min. / 80max
Up & Down carriage speed (m/min.)	1min. / 5max
Power supply (V)	100 Vac ÷ 240 Vac
Installed power (kW)	0,35 Kw
Lead acid batteries	2 x 12V 90 Ah (C5)
Gel batteries	2 x 12V 105 Ah (C5)

> Min./Max loading sizes	Min.	Max
L (mm)	500	***
W (mm)	400	***
H (mm)	600	2100
Weight (Kg)	45**	∞

* Test conditions:
Lead acid batteries
Pallet dimensions mm 800 x 1200 x 1500 (h),
up & down cycle, 2 top wraps & 2 bottom wraps, film tension 10daN.

** With film tension of 6daN applied.

*** Bulky load can be wrapped up to a total perimeter of 26 mt ln standard configuration.



Cod.pubbli.:SBC00029544

As a part of our policy of continuous improvement, we reserve the right to alter design and specifications without prior notice. This brochure is for descriptive purpose only. Some of the items pictured in this brochure are optional and not standard equipment.



other languages: www.siat.com



Different reel-holder carriages available



SIAT S.p.A.

Via Puecher, 22 - 22078 Turate (CO) Italy
Tel +39.02.964951 • Fax +39.02.9689727
www.siat.com • siat@siat.com



for more details:



BeeWrap

BeeWrap is the Advanced Semi-Automatic Mobile Pallet Wrapper.

The BeeWrap model is the mobile wrapping machine for palletized loads suitable for every shape, dimension and weight using stretch film. Provided with a digital control panel that allows, in a very easy and functional way, the programs management and the wrapping parameters set-up.

Key Features

- For pallets of height up to 2100 mm
- Needs only 1150 mm free space around the load to operate
- Safety bumper
- Operation indicator light and beeper
- 2 x 12V lead acid battery with incorporated battery charger
- Rudder for easy motorized robot moving
- Adjustable height tracing wheel
- Rear forklift access
- Reclining column for easy shipment and movement
- Advanced & Friendly control panel
- Film carriage with clutch (mechanical or electromagnetic) or powered prestretch (200%)
- Pallet height photocell
- Up to 300 pallets without recharging (* See technical features list)

Optionals

- Gel batteries available as optional
- Photocell for black film or colored products
- Remote control



Operation indicator light and beeper



M - Mechanical brake
 FM - Electromagnetic brake
 LP - Powered prestretch 200%



View of reclined column

Adjustable height tracing wheel



Rudder for manual moving

Pallet height photocell

Safety bumper

Rear forklift access

